
6920020
INSTRUCTIONS FOR CHANGING WATER TANK LID

CHECK THE PARTS RECEIVED IN THE KIT WITH THE PARTS LIST IN THESE INSTRUCTIONS. IF ANY PARTS ARE MISSING, CONTACT THE NATIONAL VENDORS PARTS DEPARTMENT IMMEDIATELY.

**Read these instructions carefully before installing the kit.
Keep these instructions for part numbers and for future reference.**

THIS KIT CONTAINS THE FOLLOWING :

PART NUMBER	DESCRIPTION	QUANTITY
6928008	WATER TANK LID	1
6234295	SCREW	1
6920021	INSTRUCTIONS	1

1. Turn the power off using the on/off switch on the back side of the merchandiser.
2. Open the front door.
3. Remove the cabinet lid by removing 5 screws. Reserve parts for later use.
4. Remove the tank shield by pulling it straight out (1). See Fig 1.

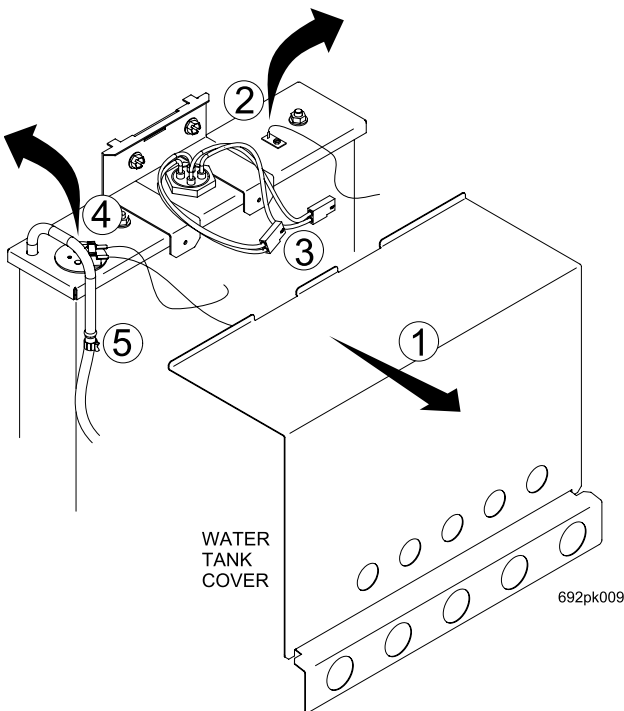


Figure 1

5. Remove the Temp Sensor (2), disconnect the Heater (3), and remove the Water Tank Sensor Assembly (4). Reserve all of these parts for later use.
6. Loosen the hose clamp and remove the hose (5).

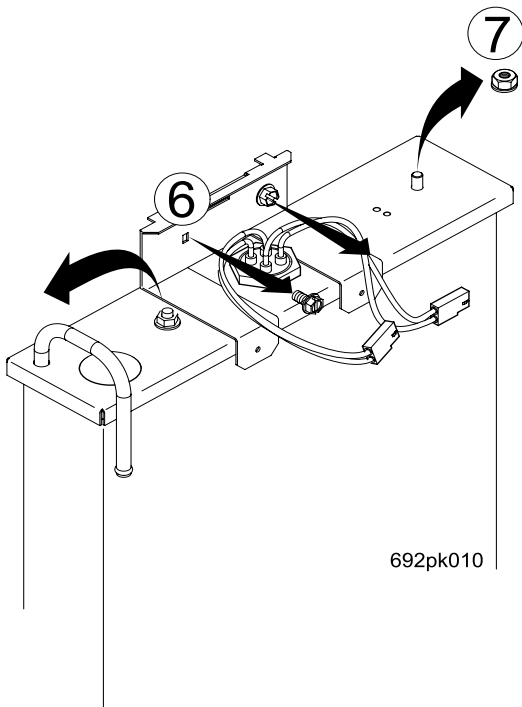


Figure 2

7. Remove the two nuts on the back bracket (6). See Fig 2. Save for later use.
8. Remove the two nuts on the top of the tank lid (7). Save for later use.

9. Carefully lift the Tank Lid off as to not damage the Heater elements. Remove the Heater from the Tank Lid Assembly by unscrewing the large nut and lifting it off the lid. Save the Heater for later use. Discard the Tank Lid.
10. Reinstall all parts removed in the previous steps onto the new tank lid. Use the new screw included in the kit to reinstall the Water Tank Sensor Assembly.
11. Restore power to the machine.